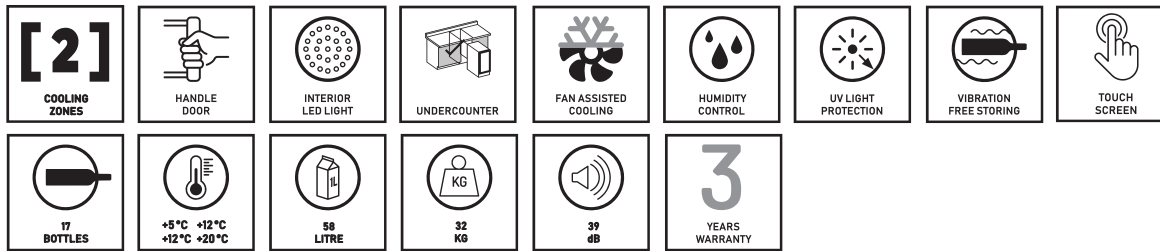


DUNAVOX Flow-17

DAUF-17.58DB EAN: 5999558434656
DAUF-17.58DSS EAN: 5999558434670



Door frame	Full glass black door / Stainless steel frame
Door reversible	Yes
Glass	Triple glazed
Bottle capacity	17 bordeaux bottles
Bottle types	Bordeaux, Rhone
Temperature zones	2
Door opening	With handle
Lock	No
Door opening sensor	No
Height	813 mm
Width	295 mm
Depth	570 mm
Internal height	650 mm
Internal width	225mm
Internal depth	420 mm x4/310 mm
Packing height	855 mm
Packing width	330 mm
Packing depth	635 mm
Installation	Undercounter
Ventilation design	Front Plinth Ventilation*
Display type	LED
Display colour	Blue
Interior light	LED lighting
Interior light colour	Blue
Shelves	4x Wooden shelves
Shelf height	125 mm/85 mm/95 mm/85 mm/145 mm
Internal air circulation	Yes, fan assisted
Upper temperature range	5-12 °C
Middle temperature range	-
Lower temperature range	12-20 °C
Temperature memory function	Yes, in case of power failure
Defrosting	Manual
Carbon filter	No
Grille	Yes
Total volume	54 L
Cabinet material	Metal
Cabinet colour	Black
Optimal usage	Domestic
Vibration free-storing	Yes
Internal humidity	50-80%
Warranty	3 years
Compressor warranty	5 years

Energy class	G
Annual energy consumption	135 kWh/annum
Daily energy consumption	0,369 kWh/daily
Power	220-240V AC 50Hz
Rated current	0,65 A
Cable length	1,5 m
Noise level	39 dB
Climate class	ST, N
Cooling method	Compressor
Refrigerant type	R600a
Refrigerant amount	19g
Handle	Inox
Net weight	32 Kg
Gross weight	34 Kg

DAUF-17.58DB

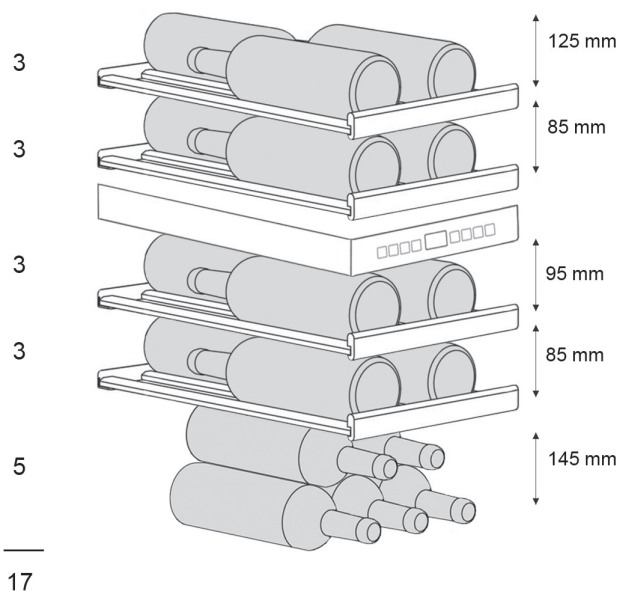


DAUF-17.58DSS

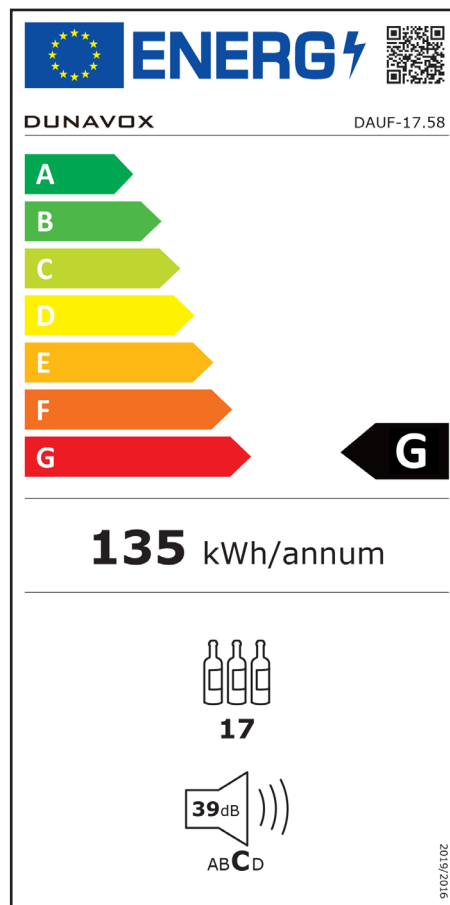


* The grill must be free, because the air exchanges through here. The warm air from the compressor escapes, and the fresh air going in as well.

Bottle loading



Energy label



Installation drawing

